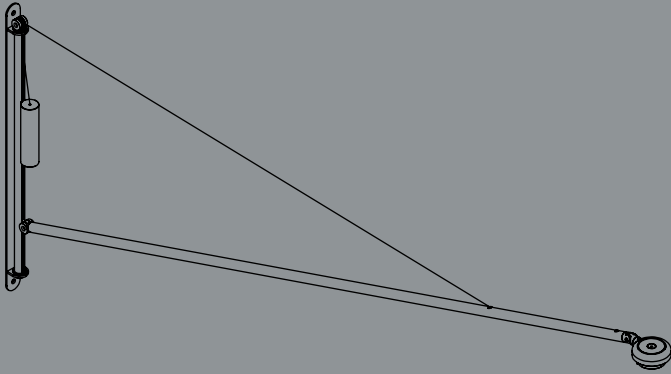


- INSTRUCTION MANUAL -

FIFTY-FIFTY WALL



DESIGN BY SAM WELLER

HAY

Named Fifty-Fifty after the lamp's counterweight system that creates equilibrium between the two parts, it is clear to see how Sam Weller's references to physics and engineering influence the design. Based on the idea of stripping a multi-purpose task light to its fundamental elements, Fifty-Fifty balances refined, pared-back aesthetics with optimal functionality.

This largest and latest addition to the Fifty-Fifty family, the Wall mounted lamp, uses most of the same components as the rest of the family, with configurable aluminium components and robust steel wall brackets and counter weight. The extruded cantilever arm is easy to tilt and pivot, featuring a touch-sensitive dimmer switch for precisely positioning and controlling the integrated LED light source. The Fifty-Fifty wall lamp is suitable for using in offices, public spaces and private homes.

TECHNICAL DATA

This product is supplied with an integrated LED module (3000k warm white, 600-700 lumen). The expected lifespan of the LED module is 25,000 hours.

- / When the light source reaches its end of life, the whole luminaire should be replaced.

ATTENTION

In some countries, electrical installations must be carried out by authorised electricians/contractors; please check with your local authority for guidance.

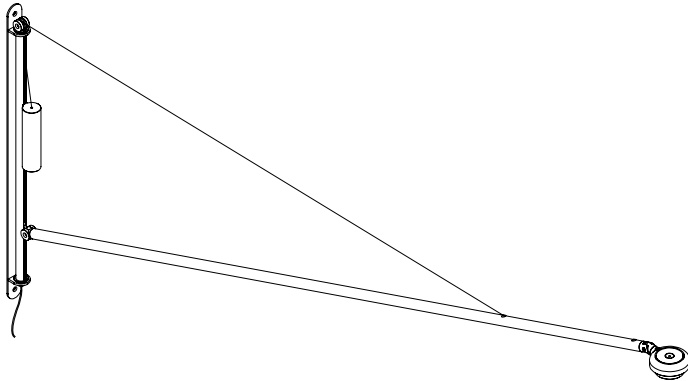
- / HAY accepts no responsibility for any products that have been modified or tampered with.

CARE AND MAINTENANCE

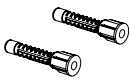
The product can be cleaned with a soft damp cloth and mild detergent.

- / Do not use alcohol or any other solvents to clean the product.
- / The external flexible cable or cord of this luminaire cannot be replaced; if the cord is damaged, the luminaire should be destroyed.

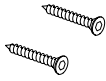
- PARTS -



Lamp



Wall plugs



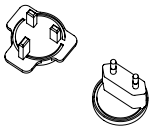
Screws



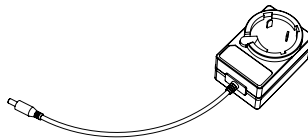
Allen key



Handle



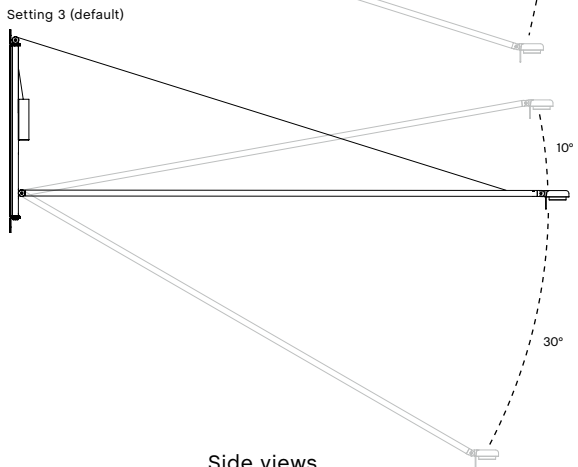
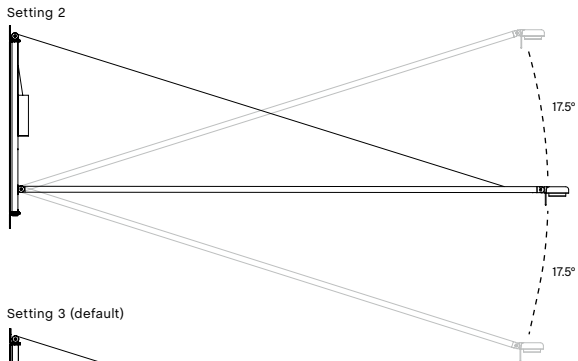
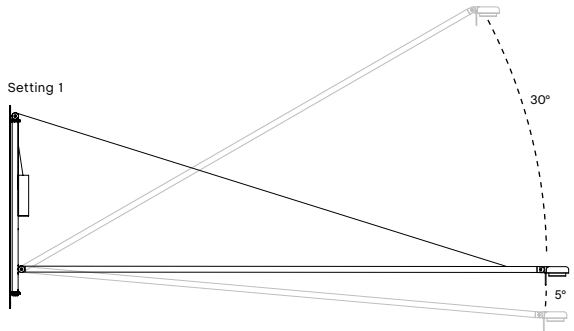
Adapter



Power supply

1.

The arm has three different settings allowing for different degrees of freedom in a vertical direction. Choose the setting most suitable for your needs.

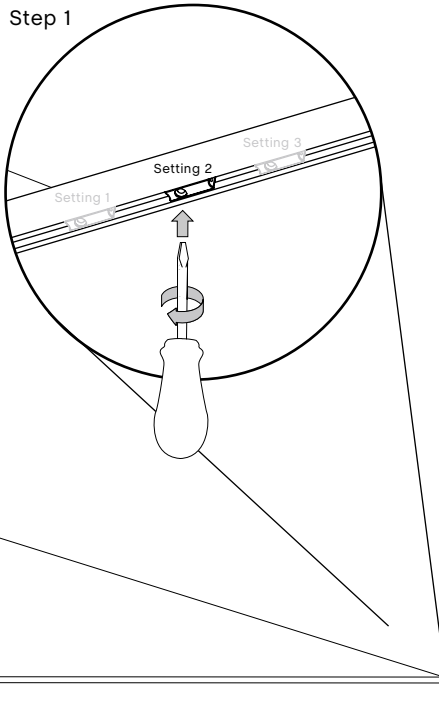


Side views

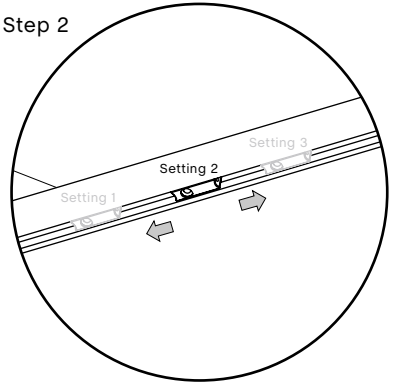
2.

If you would like to change between the three different settings for the arm - simply loosen the screw on the adjustment slider (step 1), change the slider's position (step 2) to the setting you require (step 3) and aligning the screw with the pre-defined hole and tighten the screw. It is suggested that two people carry out this step.

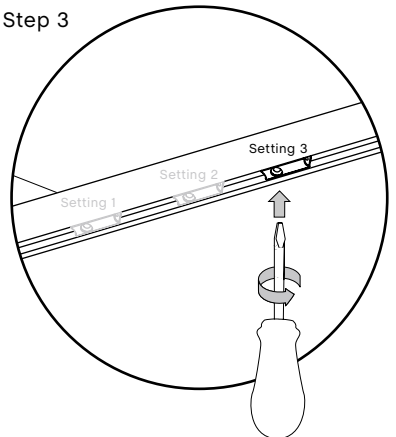
Step 1



Step 2

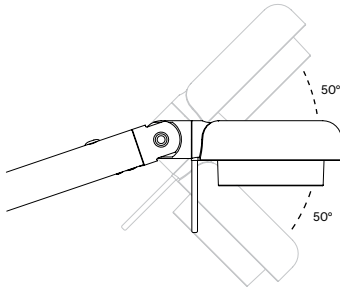


Step 3

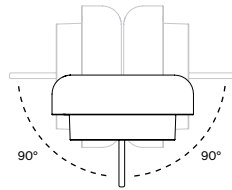


3.

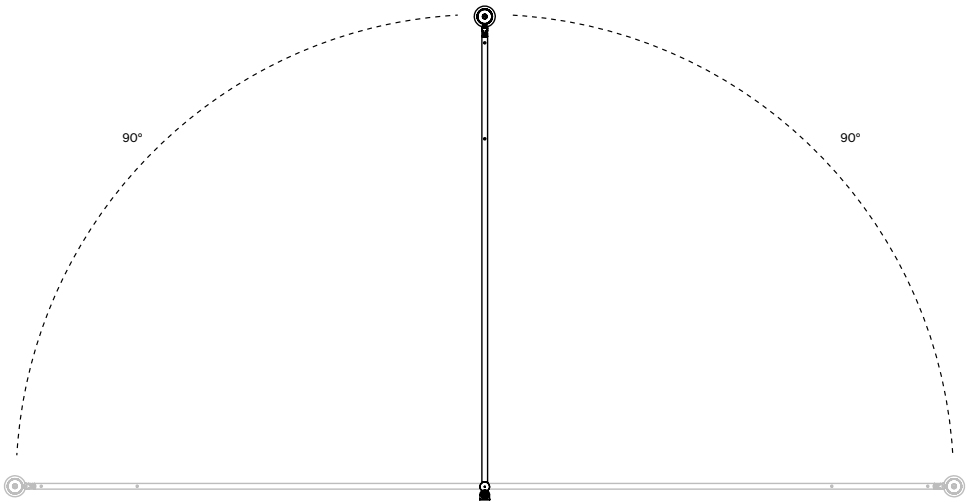
The head of Fifty-Fifty / Wall is flexible and can be moved sideways and up and down.
The arm also allows for a 180 degree horizontal movement.



Side view



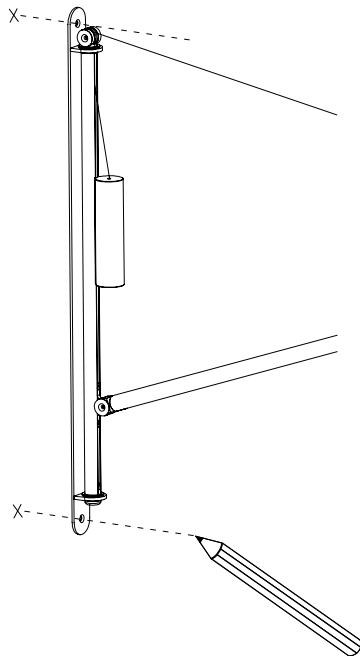
Front view



Top view

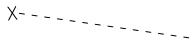
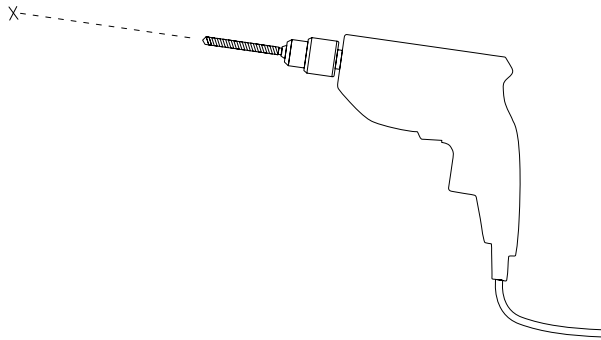
4.

Using the lamp's wall bracket as a guide, mark the position of the holes to be drilled (640 mm apart). Use a spirit level to ensure that the wall bracket is level.



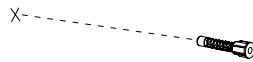
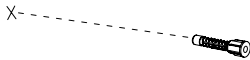
5.

Drill the holes using the correct type of drill for the wall you are drilling into.



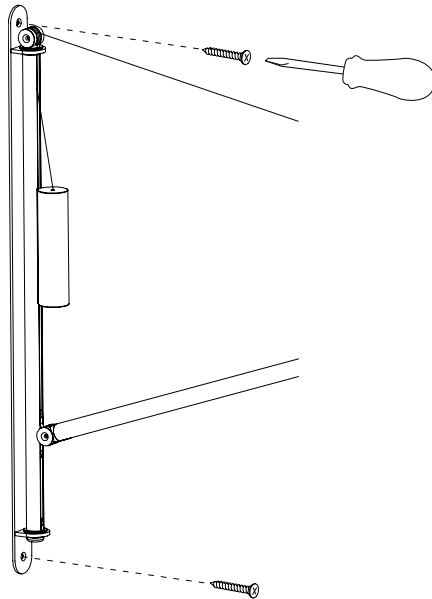
6.

Insert the wall plugs. Ensure you use the correct type of plugs for the type of wall.



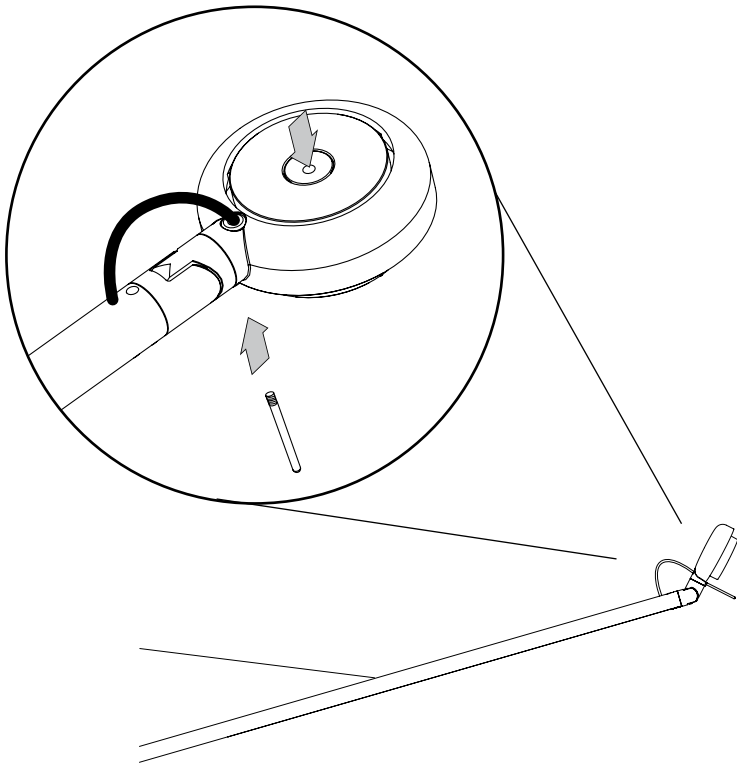
7.

Fix the wall bracket onto the wall using the provided screws, starting from the top.



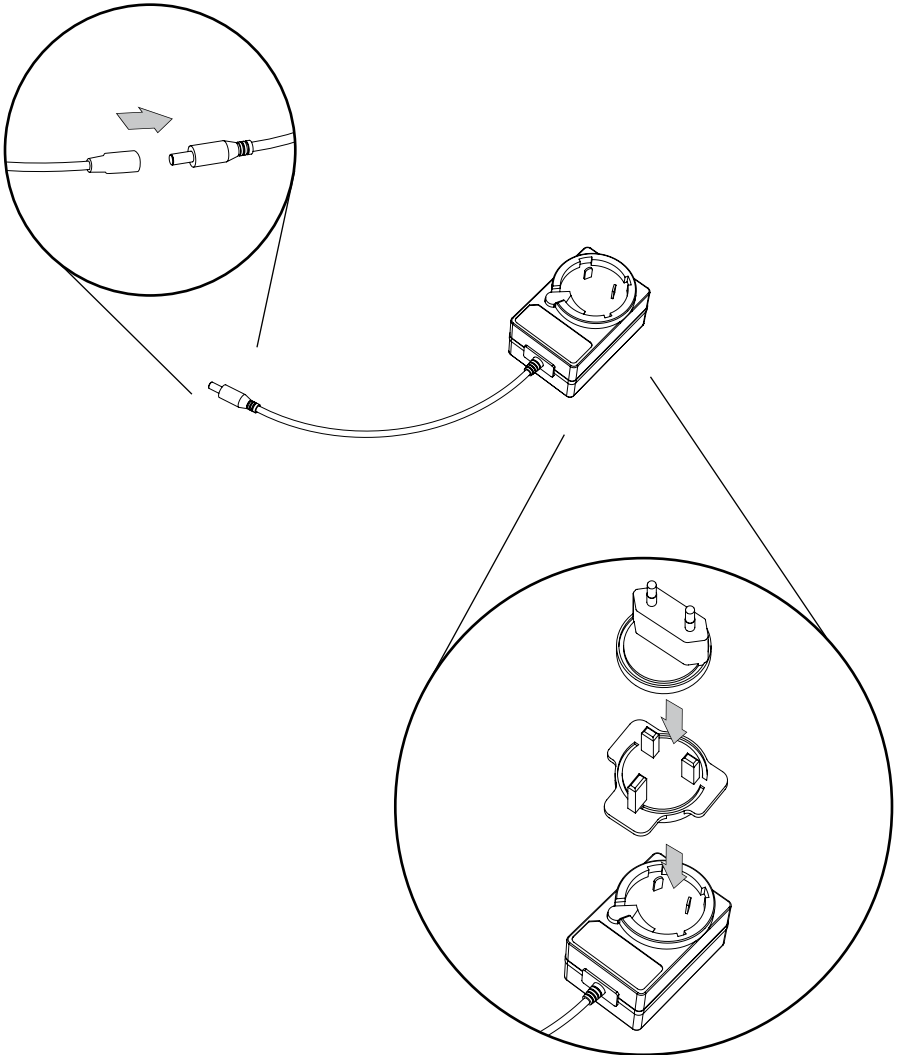
8.

Screw the handle into the head, ensuring it is tight before using it to adjust the lamp's position. The lamp can be freely moved and will hold in any position. A touch sensitive step dimming switch is located on the backside of the lamp's head.



9.

Plug the trailing cable into the power supply. Attach the correct adapter for your region.
The lamp is now ready for use.



Havnen 1 8700 Horsens Denmark
+45 4282 0282 / hay@hay.com

02/17/20

HAY